

The logo features the word "AXETREME" in a bold, sans-serif font. The "AXE" is in red, and "TREME" is in black. A black silhouette of a chainsaw blade is positioned behind the "A" and "X". Below "AXETREME" is a black banner with the text "-LOGGERS COMPETITION-" in white, slanted uppercase letters. To the right of the banner, the year "2022" is written in a large, bold, black sans-serif font.

AXETREME 2022
-LOGGERS COMPETITION-

Sunday 26th of June 2022

Hoonhorst

Dutch Competition



2022 The Netherlands

Introduction

May 2022

This rules and regulations are written by the 3 Dutch logging organisations: The Dutch Loggers Association, the Forestry-Team and the Axetreme-team. Small modifications are made to fit het Axetreme Loggers Competition 2022.

Promoting our beautiful sport and professional skills are the central theme during the ALC. We are looking forward to an sportive and successful competition.



1. Index

Introduction..... 2

1. Index 3

2. Basic regulations..... 4

 Application and number of disciplines 4

 Same number of point..... 4

 Material and check 4

 Safety rules 5

 Time keeping 6

 Point 6

 Starting the chainsaw 7

 Start procedure 7

 Competition area and site 7

 Protest procedure 8

 Decision 8

 Logs..... 8

 Definition of a disk..... 8

 Adjusting the log..... 8

 Tasks of the jury 8

 Other regulations 8

3. Fitting a new chain 10

 a. Material 10

 b. Event description..... 10

4. Undercut and felling cut 12

 a. Description 12

 b. Rating..... 13

5. Cutting track 14

 a. Performance 14

 b. Result..... 14

6. Log chopping 15

 a. Performance 15

 b. Result..... 15

7. Disk cutting..... 16

 a. Performance 16

 b. Result..... 16

8. Limbing 17

 a. Performance 17

 b. Result..... 17

2. Basic regulations

Application and number of disciplines

Application is only valid by the form at axetremteam.nl. The competition takes 6 disciplines and is only accessible for those older than 18 or 16 with certificate ECC2 or similar. Competitors compete at own risk, and agree on application with the rules as described here.

Same number of point

When a situation of same total scores occurs, the end result will be defined by:

- The total score on the event felling and under cut
- When that score is still the same, the time of fitting another chain makes clear who wins.

Material and check

The chainsaw will be checked before or during the competition on safety items as specified in figure 1. If the jury finds out the chainsaw does not fit the safety regulations the competitor is not allowed to join the competition.

The axe must be fitted the correct way to the handle. If the handle is damaged during the competition the competitor will be disqualified for the event. This is also for the use of a splitting axe.

Every competitor needs:

1 chainsaw (a equal and checked spar saw is allowed):

- The chainsaw had to be a standard type en must be used with all the original parts. Preparation is allowed. Both safety and normal parts of the saw must be on it during the competition.
- The chainsaw needs to fit the following safety parts (Dutch translation for fig. 1):
 - Chain Brake (Ketting rem)
 - Safety chain, including a 2nd one (Veiligheidsketting)
 - Chain stopper (Kettingvanger)
 - anti-vibration system (anti vibratie voorziening)
 - Hand protection (handbescherming)
 - Safety gas throttle (gasbeveiliging)
- The chain must be correctly tightened around the bar, see event 1.
- The competitor's form will arrange compensation in power and displacement and the calculation forms.
- If the chainsaw does not fit the regulations, taking part at the competition is not allowed.
- He number of chains and bars is not limited. Before every event changes are allowed to make.
- The chains must be of sharpened with a standard round file.

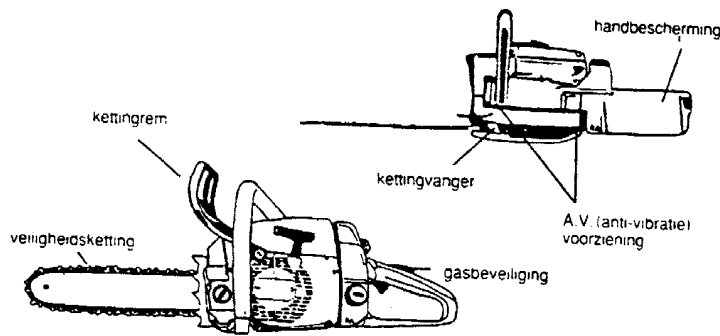


Figure 1 safety parts of a chainsaw

1 axe for the chopping event. The handle needs to be fitted correctly.

1 emergency bandage, not too old and sufficient packed. The bandage must be carried during all events. The penalty for not showing it when asked is 15 seconds.

Safety rules

All contestants must keep the chain cover on, during transportation and during movements from place to place within the competition area.

The competitor must carry the following safety equipment during the events:

Fitting a new chain:

- Safety trousers (CE-marked and class 1)
- Safety shoes or boots (CE-marked and class 1)
- First aid bandage

Cutting track/felling and under cut/limbing/disk cutting:

- Safety trousers (CE-marked and class 1)
- Safety shoes or boots (CE-marked and class 1)
- Hard hat (CE-marked and with correct date)
- Facial protection
- Gloves
- Ear protection
- First aid bandage

Chopping

- Safety trousers (CE-marked and class 1)
- Safety shoes or boots (CE-marked and class 1)
- First aid bandage
- Leg protection (brought by the organisation)

If the safety equipment is not okay, the competitor is not allowed to join the Competition. When safety rules or equipment are not or insufficiently used, the jury will give penalty seconds. After a mistake is made, the jury will give the competitor a sign and he/she has the opportunity to change the fault (time is running).

(Safety-) violations are:

- Not or wrong use of the named safety equipment.
- Starting the chainsaw incorrect (fig. 2).
- Operating the chainsaw with one hand
- Moving the feet while the chain is running, except during the event limbing, which has special rules.
- Entering the competition arena without permission.
- Starting without signal.
- Chainsaw is not running within 5 minutes.
- Making false corrections to the log.
- Not able to show first aid bandage.
- Injury
- Stopping the event

Disqualification is the penalty for:

- Not completing the event.
- The chainsaw does not fit the safety rules.
- Not on time at the competition area.

Every competitor needs enough technical knowledge and experience to fulfill the events safely. The jury will judge if the competitor is not, the jury will end the event and the competitor will be disqualified.

The use of alcohol or drugs is not allowed during the competition. Violation of this rule means disqualification for the entire competition. Always take care for spectators.

Time keeping

Every event has two judges, monitoring the time with a stopwatch. The time will be completed to the nearest 0,01 second. The average time (of the 2) will be completed to the nearest 0,1 second. The result is the finish time for the event.

Example:

1st time 110,22 second

2nd time 111,89 second

The average time becomes: 111,055 second: the result will be 111,1 second.

If the average time is for example 111,049 second, the result will be completed to 11,0 second.

Point

The total time for each event will be counted together with the penalty seconds for each event. The competitor with the fastest time (both time and penalty seconds) will receive the most points, the slowest competitor the lowest. When 24 competitors take part, the fastest competitor receives 24 point, the second 23, until the 24th competitor, he will receive 1 point.

Starting the chainsaw

The chainsaw must be started as shown below in figure 2. all other ways of starting are not allowed. The chain brake must be used all times during starting, as well as safety equipment. The chainsaw must be used right-handed. Violations will be penalised with 15 seconds.

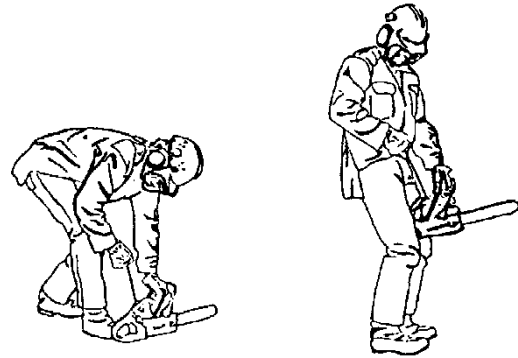


Figure 2 starting the chainsaw

When the chainsaw is running and the competitor is moving, the chain must be on the brake. When a movement is made while the chain is in the log, the brake is not committed. During the event Limbing, other rules will over rule this basic rule. When the chainsaw is running stationary, the chain may not move, otherwise penalty seconds (15) points will be given.

Start procedure

- The starter stands in sight of the competitors.
- He gives a sing (using eye contact) and asks the competitors if they are ready, as well as the jury members. Both competitors and jury confirms this by nodding.
- The starter will raise his two arms above the head.
- When he moves them down to the side of his body the time will start and the competitor is allowed to start the event.

A starting gun can be used.

Competition area and site

Before during and after the competition, only judges and helpers are allowed to enter the competition area, as well as invented competitors (invented to join the event by the jury.). Competitor will be invited by the jury at the entrance of the arena to join the event.

Other persons are not allowed to enter the area, without permission of the jury at the event. If they are allowed to join the area they must follow the rules and instructions of the judges at all time and not influence the event.

If a competitor is not on time at the event, disqualification for the event is the penalty.

When the jury has the opinion a unsafe situation appears for the competitor, judges of spectators, the event will be stopped. After this decision the event judge will decide together with the head jury if the competitor will be disqualified for the event or not.

It is forbidden to touch bar and/or chain when the chainsaw is started.

Testing the chainsaw is only allowed in the special arena, which is marked, and only while using safety equipment.

Protest procedure

When finished the event the competitor has to sign the form with the result as noted en monitored by the judges. Even when he does not agree with the results he has to sign at a special box at the form. Competitors are only allowed when the judge has signed and gives him permission to sign.

If the competitor does not agree with the decision of the jury he can protest, by write down his statement and send it to the head judge, within 30 minutes after finishing the event. The decision of the head jury is binding. Protests based on photo or video recording will not be accepted.

Decision

If this set of rules does not provides the situation the head jury will decide.

Logs

The head jury before the competition will number the logs. Every competitor will receive a start number, which connects him/her to the logs.

Definition of a disk

Events in which the competitor has to saw one or more discs, the discs must be complete. At all sides the disc has to visual round.

Adjusting the log

Correcting the log is only allowed with permission of the jury. They will decide at if and were the log may be corrected. The competitor is only allowed to correct the log with 1 cut (at each side of the log). Correcting the log false, does not give penalty seconds. Only correcting the log in more then 1 cut gives 15 seconds.

Tasks of the jury

The disciplines will be observed by the jury, the same number of officials for each competitor. The starter and head jury will not be involved during the task. If the competitor does not agree with a decision by the judges, it is possible to sign under protest at the form. If the competitor does not agree with the decision of the jury he can protest, by write down his statement and send it to the head judge, within 30 minutes after finishing the event. The decision of the head jury is binding. Protests based on photo or video recording will not be accepted.

If these rules give no solution, the head jury decides. The head jury is allowed to correct and act at all time.

Other regulations

Costs, caused by wanton/willful actions will be miscalculated to those who are responsible.

The competitor will finish the discipline and take place behind the start/finish line. He will wait until the official gives the sign to approach and (if he wants to) can watch the



2022 The Netherlands

measurements. If otherwise penalty points will be given, as well as not following orders from the judges.

At the start of the competition, time schedule and/or speaker will be announced. During the day the competitor is responsible for being on time at the events.

The competitor will wait after the finishing of the task, behind the marked line, until the jury calls to watch. Not following the orders of the jury will give penalty points. In case of (technical failure, using equipment of other competitors is allowed, only when these have passed the safety check.



3. Fitting a new chain

a. Material

- Sparkplug wrench
- Second chain
- Chainsaw

b. Event description

The chainsaw will be placed on the table with the chain at the right tension. The jury will mark the downside of the bar with a arrow. The nuts will be fixed at a tension of 20 N, the competitor may watch. The chainsaw must be equipped with all safety parts.

The competitor then:

- Takes position at the starting line, 1 meter ahead of the table.
- Starts the event at the sign of the jury (time starts as well).
- Unscrew the nuts and remove the chain sprocket cover.
- Remove bar and chain.
- Turn bar and fix new chain (with correct tension).
- Place back chain sprocket cover and fix nuts (20 N).
- Stop time by placing the sparkplug wrench back on the table.
- Move backwards to the starting line.
-

Then

- The jury will check the chainsaw (tension, nuts, bar)
- The jury checks the hands of the competitor on injuries.

c. Rating

Penalty seconds (15) will be given for:

- Starting without signal
- A chain or other part falls on the ground during the event.
- Not turning the bar.
- 2nd chain is fixed the wrong way round.
- The nuts are not at the right tension (20 N) after the event, per nut.
- The chain has not the correct tension.
- Injury.
- Not following the basic rules.

Time

The time will be (depending on the brand en type of saw) multiplied with the corresponding factor, see the next table.

Table multiply factor

Number of nuts	Type of sprocket	Place of sprocket	Factor
1	star	out	1.00
1	ring	in	0.90
1	star	out	0.90
1	ring	in	0.80
2	star	out	0.75
2	ring	out	0.70
2	star	in	0.70
2	ring	in	0.65

Chain

The chain must be 'thigh' to the bar. The connection links of the chain must touch the downside of the bar when the saw is on the table.

Alternative time keeping

It is possible the organisation uses a World championship time set, by using a ski-gate and stop button. Time starts when the competitor moves through the gate and stops when he pushes the button on the table.

4. Undercut and felling cut

Materials

- Chainsaw
- A combo felling bar/cant hook and/ or hammer and wedges.

a. Description

The competitor has to cut down the 15m long, standing log with the corresponding number.

The cutting direction must be determined within 1 minute by the competitor and must fit the terrain/area/conditions.

At the pointed direction, the jury will mark the 10 m point with a pole, and will place two reference poles (smaller) next to it, at 1 m distance to each side.

The under cut and felling cut must be made between the 2 rings, painted on the log, 110 cm and 130 cm below chest diameter.

After starting the chainsaw (with permission of the jury) the competitor has to stand at 2 m from the log at the starting line, together with all his equipment. When the jury gives the start signal he can start the event.

Before the tree hits the ground the competitor must stand behind one of the two finishing/start lines. He must stay there until the jury invites him to watch.

The time stops when the tree hits the ground.

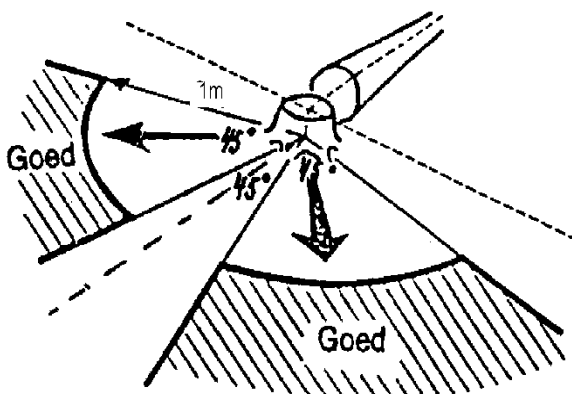


Figure 3 safety zones (goed=good) .

Cutting direction

The deviation will be measured in cm. the distance will be measured starting from the centre of the log, to the nearest reference pole. When the log has hit the main pole, the direction is zero, what means maximum point. Every cm beside 0 gives 0.5 penalty seconds per cm.

Technic and quality

The jury will judge the way the competitor takes care of safety, for himself as well as spectators. This means use of personal safety equipment, use and handle of the chainsaw, moving back on time, use of the extra equipment and so n.

Special attention is paid to the hinge, it must be visual in tact at the full wide of the stump, except on the places where the sapwood additional has been cut thru.

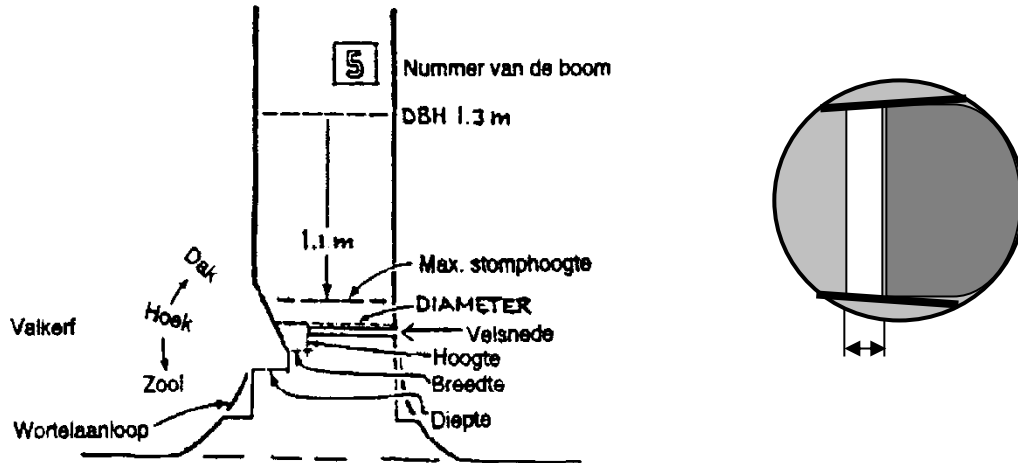


Figure 4 stump and hinge

b. Rating

Penalty seconds (15) will be given for:

- Starting without signal
- Felling cut is not below the undercut
- Determine the cutting direction not within 1 minute.
- Hinge not complete or gone
- Not moving back on time or moving behind the tree when it is falling
- Unsafe use of (extra) gear, as far as it not specified in the basic regulations, for each time
- Not following the basic rules.

Safety

Special attention is paid to way of starting, use of the chain brake and personal safety equipment. As well as the movements of the competitors when the tree is falling (not walking behind the tree for example).

5. Cutting track

This event contains several tracks existing of 2 or 3 laying logs. In some cases also standing logs are placed. The used logs will have a diameter of approximately 25 cm. the organisation will try to make every tack as equal as possible. The logs lay down at 15 cm above the surface. The distance between 2 logs is 2 meter. The disks that should be cut must be between 2 and 6 cm thick. Knots may be corrected when there are 2 or more in 1 expected disk. Correcting of the logs is only allowed with permission of the jury.

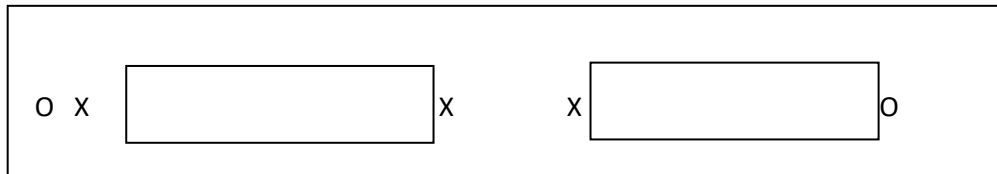


Figure 5 cutting track

a. Performance

He competitor may start the chainsaw at the sign of the jury. Then he places the saw at the chain brake at the marked spot. The chainsaw must be on that spot and may not cross the start line.

The competitor starts with his hand on the log and after the signal he runs with the saw to the first log. There he tips the marked disk on the ground with the bar, removes the chain brake, cuts a disk, put the chain brake back on and tips the marked disk again. Then he moves to the next log and so on, until the track is completed. When the starting pole is passed the time will stop.

The track will be completed in two ways, on the first route one disk of every log is cut, and on the way back, the 2nd disk is cut. The competitor must walk/run round the marked point at the end of the track otherwise dq follows. He must keep the same order in cutting. This means when he starts at the 1st log with cutting at the start side, he must do this also at the second log.

b. Result

15 penalty seconds are given for:

- Thickness of the disk > 2 en < 6 cm*
- Not tipping the marked disk with the bar before or after cutting a disk.
- Not or incorrect use of the chain brake.

Disqualification for the event follows at:

- Not finishing the event.
- Missing a disk ore not cut it completely.
- Incorrect order of cutting
- Not following the basic rules.

** For determine the thickness of a disk, template/mold is used. The disks must be larger then 2 cm surface/round. As well as thinner as 6 cm. the mold/template is hold by the jury at the side and without helping/using other equipment the disk must fall through.*

6. Log chopping

a. Performance

A soft wood log is attached by the competitor to the chop board. And must be chopped in two parts with an axe by the competitor. The organisation tries to organise logs as equal as possible for the competitors.

The competitor starts with the axe on the marked dot. As soon the starting signal is given, the time starts. Time stops when he touches the dot again with the axe.

It is not allowed to touch the log with the body or to step over it and chop from the other side after a couple of hits. The competitor has to stand and chop at/from the side the jury will tell him and has to cut in V-shape and into two parts to chop the stem. .

The competitor has to carry the axe safely with a cover, which is only allowed to remove when the jury tells to. If not, 15 penalty seconds are given. The task must be completed within 120 seconds.

The competitors will stand and perform in 'cages' for their own safety and the safety of other competitors and spectators and jury.

Carrying foot and leg protection together with safety trousers and safety shoes is required leg/foot protection is brought by the organisation.

b. Result

Disqualification for the event follows at:

- Not chopping the log in two pieces.
- Touching the log with the body.
- Step over the log.
- Losing the axe from the handle.
- Not completing the event: not chopped thru.
- Not following the basic rules.
- Needs more than 120 seconds to complete

7. Disk cutting

a. Performance

By cutting with the chainsaw, the competitor must cut 10 disks from a log that is attached to a board, with a diameter of approximately 20 cm and a height of 120 cm. Competitors who have less than 10 disks will receive 15 penalty seconds for each missing disk. More than 10 disks does not give extra points.

The disks must stay on the log until the jury has counted them. The competitor is not allowed to touch the disks with the body. Every touch will be punished with 15 seconds. The 10 disks must be complete so fully round.

The chainsaw may be started at sign of the jury. In one movement, the competitor may correct the log to his wished height. The chainsaw must be on the chain brake at the marked disk/place and the competitor starts with his hands on the log. At the starting signal the competitor may start the event.

When during the event 01 or more disk drop to the ground, the competitor may continue until there are 10 disks, or the log is finished.

Time stops when the competitor places his chainsaw at the marked disk/place, with the chain brake on.

b. Result

15 penalty seconds are given for:

- Touching the log or disk with the body.
- Not enough disks (per disk).
- Safety, moving the feet without the chain brake on and the bar is out of the log.
- Not following the basic rules.

8. Limbing

a. Performance

The log must be limbed on a sufficient and safe way. The competitor must stand behind the line, with the saw on the log. The saw is on and it is allowed to start with the chain running, unless the basic regulations are not violated. During the start the competitor and the saw must be behind the start line. The time stops when the saw has passed the finish line.

The log must be hold between the saw and the body as much as possible. When the saw is on the same side as the competitor, walking is not allowed unless the saw is on the chain brake.

When the entire foot is lifted up from the ground, it is counted as mistake; unless the competitor stands on a branch.

When one or more stumps are deeper then 10 mm are cut of higher then 10 mm above the stem, the competitor will receive 15 seconds for each mistake. Mistakes will be measured over the highest or deepest point in the line of the stem. Scratches deeper then 10 mm fill be counted as mistake, without noticing the length.

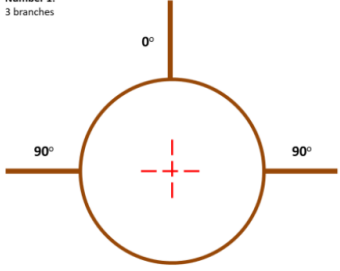
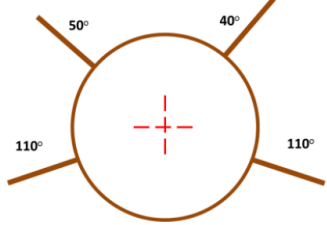
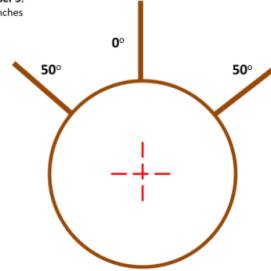
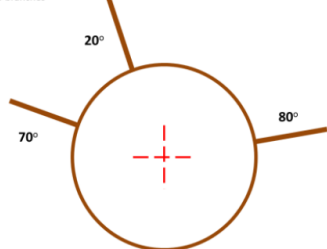
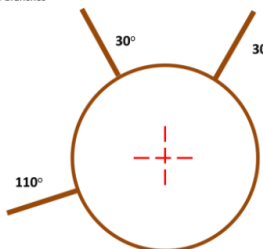
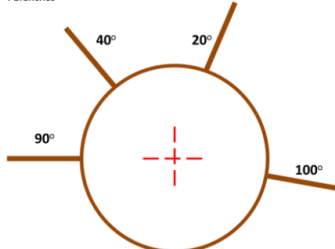
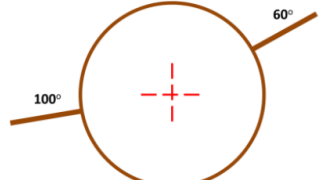
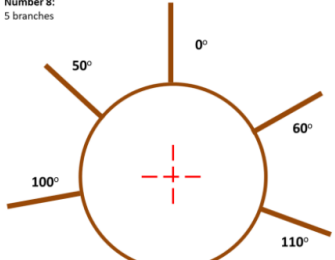
Limbing will follow the most recent IALC pattern, see: www.ialc.ch or next page.

b. Result

15 penalty seconds are given for:

- Moving feet when the chain is at the competitors' side of the tree and the brake is not on, per violation.
- Every damage tot the stem, deeper then 10 mm at the deepest point measured in the direction of the stem.
- Every stump left, higher then 10 mm at the highest point measured in the direction of the stem
- Not following the basic rules.

c. Limbing pattern

<p>Number 1: 3 branches</p> 	<p>Number 2: 4 branches</p> 	<p>Number 3: 3 branches</p> 
<p>Number 4: 3 branches</p> 	<p>Number 5: 3 branches</p> 	<p>Number 6: 4 branches</p> 
<p>Number 7: 2 branches</p> 	<p>Number 8: 5 branches</p> 	<p>Number 9: 3 branches</p> 